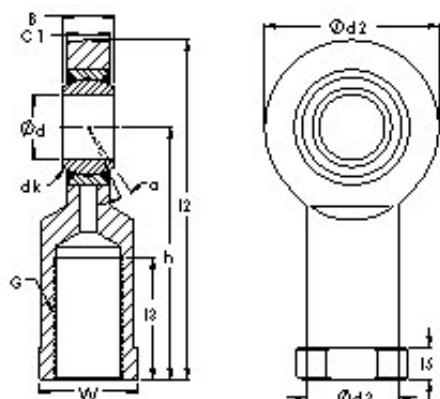




# BEARING SCIENCE & TECHNOLOGY CO.,LTD.



## AST SI20ES plain bearings

Bearing No. SI20ES

Bore Diameter	20 mm
Width	16 mm
Bearing Type - steel-on-steel	steelonsteel
Bore Dia (d)	20.0000
Width (B)	16.0000
Radius (min) (rs)	0.300
Dynamic Load Rating (Cr)	30,000
Static Load Rating (Cor)	60,000
Spherical Diameter (dk or Dk)	29.000
Mis-alignment Angle (a deg.)	9
Thread Length (l1)	40.000
Bore Center to End of Rod (h)	77.000
Rod Overall Length (l2)	103.500
Rod End Thickness (C1)	13.500
Bore Center to Body (l7)	26
Thread Size (G)	M20 X 1.5
Rod End Width (d2)	53.000
Body Dia. (d3)	28.000
Body End Dia. (d4)	34.000
Body End Width (l5)	10.000
Body End Flats (W)	30.000
Weight (g)	350.00
Material - Body - Carbon steel-zinc plated, Ball -	Hardened chrome steelchrome plated

SI20ES Bearing 2D drawings and 3D CAD models



# BEARING SCIENCE & TECHNOLOGY CO.,LTD.

Hardened chrome steel- chrome plated	
---	--