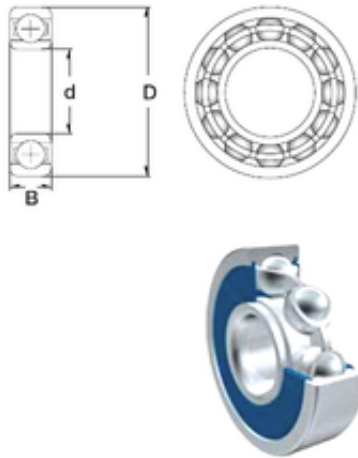




ZEN 1622-2RS deep groove ball bearings



Bearing No. 1622-2RS

Size	14.287x34.925x11.112 mm
Bore Diameter	14,287 mm
Outer Diameter	34,925 mm
Width	11,112 mm
d	14,287 mm
D	34,925 mm
B	11,112 mm
C	11,112 mm
Weight	0,046 Kg
Basic dynamic load rating (C)	2,67 kN

1622-2RS Bearing 2D drawings and 3D CAD models