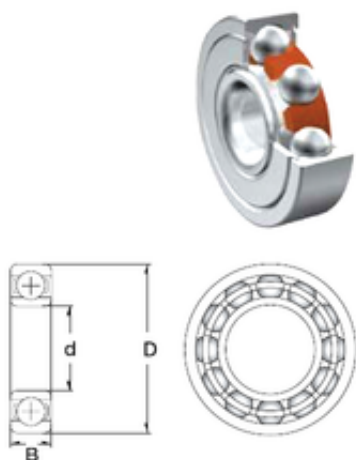




ZEN 689-2Z.T9H.C3 deep groove ball bearings

Bearing No. 689-2Z.T9H.C3



Size	9x17x5 mm
Bore Diameter	9 mm
Outer Diameter	17 mm
Width	5 mm
d	9 mm
D	17 mm
B	5 mm
C	5 mm
Weight	0,005 Kg
Basic dynamic load rating (C)	1,33 kN
Basic static load rating (C0)	0,665 kN

689-2Z.T9H.C3 Bearing 2D drawings and 3D CAD models