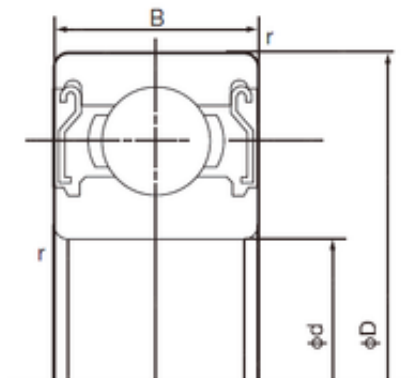




NACHI 6328ZZ deep groove ball bearings



Bearing No. 6328ZZ

Size	140x300x62 mm
Bore Diameter	140 mm
Outer Diameter	300 mm
Width	62 mm
d	140 mm
D	300 mm
B	62 mm
C	62 mm
r min.	4 mm
da min.	158 mm
Da max.	282 mm
ra max.	3.0 mm
Weight	21.8 Kg
Basic dynamic load rating (C)	253 kN
Basic static load rating (C0)	246 kN
Bore Type	Cylindrical Bore
Enclosure	Double Shield
Configuration	Single Row
Bore Size	140 mm
Outside Diameter	300 mm
Width	62 mm
Fillet Radius/Chamfer	4 mm
Dynamic Load Rating	253,000 N
Static Load Rating	246,000 N
Limiting Speed - Grease	2,200 rpm
Factor fo	13.6

6328ZZ Bearing 2D drawings and 3D CAD models



## BEARING SCIENCE & TECHNOLOGY CO.,LTD.

Radial Clearance	0.018 to 0.048 mm
da (min)	158 mm
Da (max)	282 mm
ra (max)	3 mm