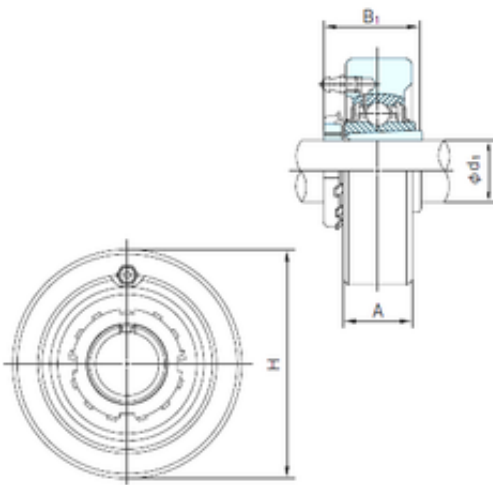




NACHI UKC210+H2310 bearing units

Bearing No. UKC210+H2310



Bore Diameter	45 mm
Width	120 mm
d	45 mm
A	33 mm
B1	55 mm
H	120 mm

UKC210+H2310 Bearing 2D drawings and 3D CAD models