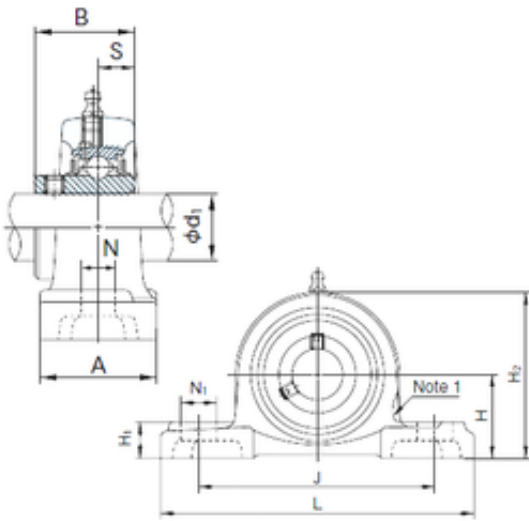




NACHI UCP320 bearing units

Bearing No. UCP320



UCP320 Bearing 2D drawings and 3D CAD models

Bore Diameter	100 mm
Width	108 mm
d	100 mm
A	120 mm
B	108 mm
H	140 mm
H1	55 mm
H2	275 mm
J	380 mm
L	490 mm
N	36 mm
N1	50 mm
S	42 mm
Bolt (G)	M30