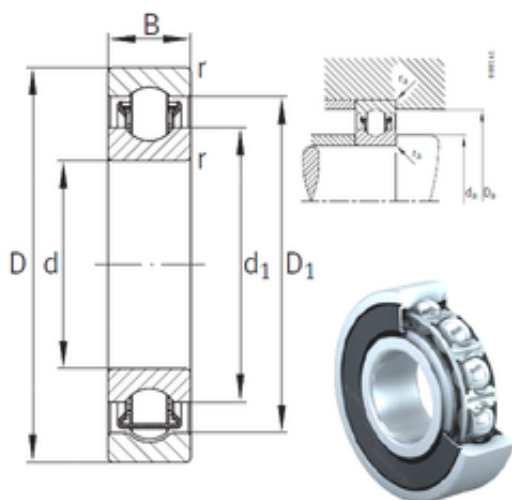




INA BXRE012-2HRS needle roller bearings

Bearing No. BXRE012-2HRS



BXRE012-2HRS Bearing 2D drawings and 3D CAD models

Size	60x95x18 mm
Bore Diameter	60 mm
Outer Diameter	95 mm
Width	18 mm
d	60 mm
D	95 mm
B	18 mm
C	18 mm
d1	72,3 mm
r min.	1,1 mm
D1	84,2 mm
da min.	66 mm
Da max.	89 mm
ra max.	1 mm
Weight	0,446 Kg
Basic dynamic load rating (C)	42,5 kN
Basic static load rating (C0)	41,5 kN
Fatigue load limit (Pu)	2 100