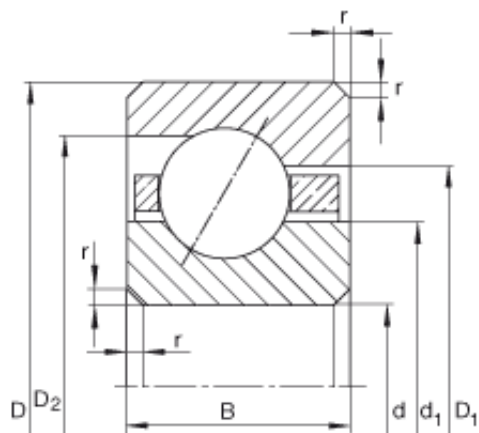




INA CSEG120 deep groove ball bearings

Bearing No. CSEG120



CSEG120 Bearing 2D drawings and 3D CAD models

Size	304.8x355.6x25.4 mm
Bore Diameter	304,8 mm
Outer Diameter	355,6 mm
Width	25,4 mm
d	304,8 mm
d	12 inch
D	355,6 mm
B	25,4 mm
D ₁	336,8 mm
D ₂	342,4 mm
d ₁	323,6 mm
r _{min}	2 mm
m	4,3 kg / Weight
C _r	55000 N / Dynamic load rating (radial)
C _{0r}	98000 N / Static load rating (radial)