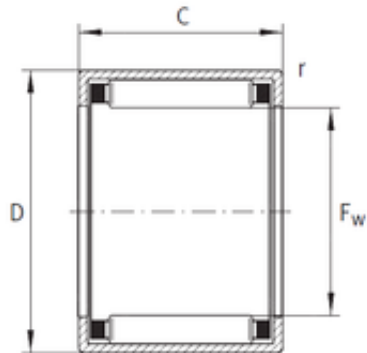




INA HK 50x57x16 needle roller bearings



Bearing No. HK 50x57x16

| | |
|-------------------------------|-------------|
| Size | 50x57x16 mm |
| Bore Diameter | 50 mm |
| Outer Diameter | 57 mm |
| Width | 16 mm |
| Fw | 50 mm |
| D | 57 mm |
| C | 16 mm |
| Weight | 0,05 Kg |
| Basic dynamic load rating (C) | 18,2 kN |
| Basic static load rating (C0) | 36,5 kN |

HK 50x57x16 Bearing 2D drawings and 3D CAD models